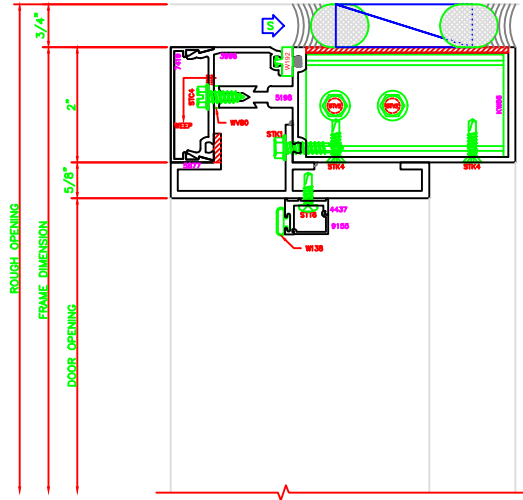


869 HEAD
5600
6"

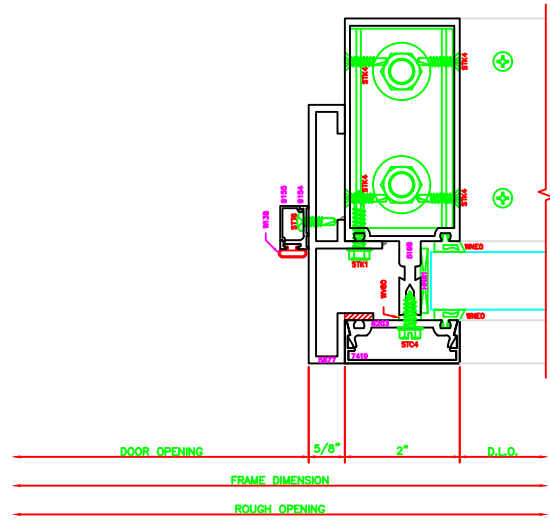
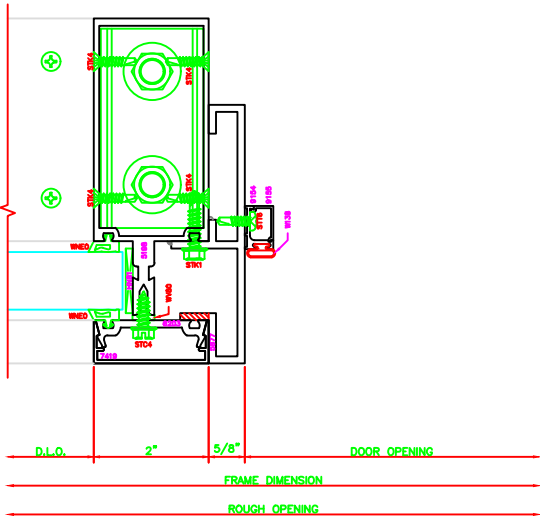


866 HEAD
5600
6"

ERASE NOTE:
OUTSWING HEAD FOR SURFACE
CLOSERS

870 JAMB
5600
6"

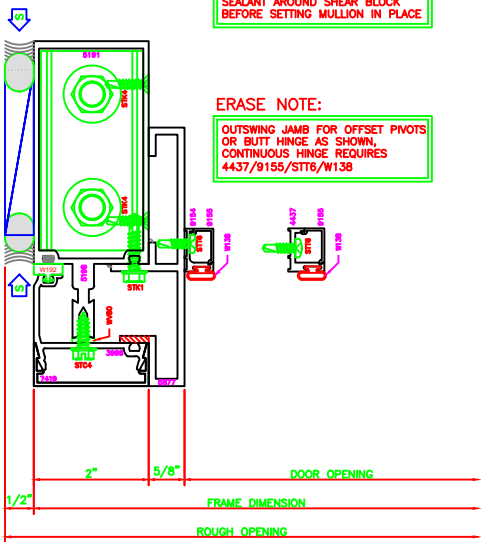
871 JAMB
5600
6"



867 JAMB
5600
6"

ERECTOR NOTE:
APPLY CONTINUOUS BEAD OF
SEALANT AROUND SHEAR BLOCK
BEFORE SETTING MULLION IN PLACE.

ERASE NOTE:
OUTSWING JAMB FOR OFFSET PIVOTS
OR BUTT HINGE AS SHOWN,
CONTINUOUS HINGE REQUIRES
4437/9155/STT6/W138



868 JAMB
5600
6"

